

High Platform Horizontal 3-Way Ball Valve Features

GB and NPT is optional.

Adopting circular arrow mark, the pointer can indicate valve position accurately.

There are various forms of circulation is optional

Applications

Industrial control equipment, instrumentation products

Intelligent water control equipment, water-saving system terminals

Environmental protection, low emissions, water supply and drainage, water treatment engineering

Certification:CE, , ISO9001, MA, AL

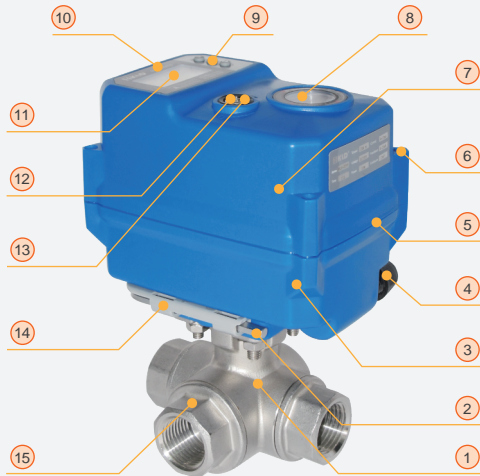


200N normal on/off model



500N normal on/off model

200C Smart High Platform Horizontal 3-Way Ball Valve Main Components Diagram

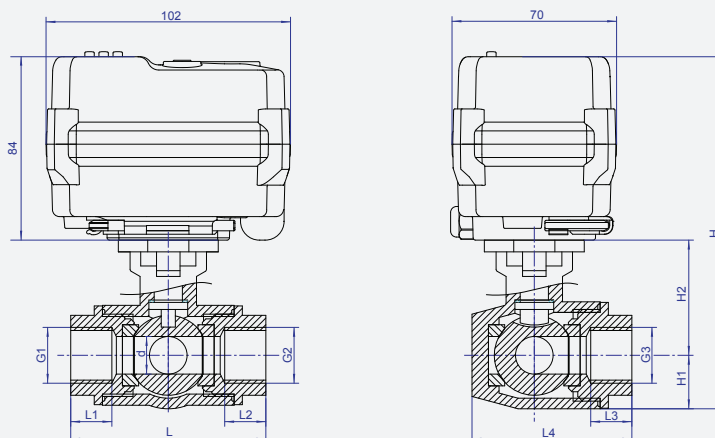


Main Components

NO.	Parts	Material	Qty
1	Valve body	304 / 316	1
2	Hexagon Wrench	Tool steel	1
3	Bottom cover	Heatproof ABS/Casting aluminum	1
4	Cable connector	Nylon/Nickel-plated brass	1
5	Lid seal	SI	1
6	Screws	304	4
7	Top cover	Heatproof ABS/Casting aluminum	1
8	Indicator	Transparent AS	1
9	Key ※	Rubber	3
10	Label	PVC	1
11	Screen ※	OLED	1
12	Manual shaft	304	1
13	Oil seal	NBR	1
14	Wrench fixed	Heatproof ABS	1
15	Valve bonnet	304 / 316	3

※ Normal on/off model no key and 1.3-inch OLED screen.

Dimension 【200C, DN15-DN25】



Connection Size (unit: mm)

DN	d	G1=G2=G3	L1=L2=L3	L	L4	H1	H2	H	F	W(Kg)
15	12.5	G1/2"	16.5	79	64	18.75	42.0	144.75	27	
20	16.0	G3/4"	17.5	83	68	22.75	49.0	155.75	34	
25	20.0	G1"	23.0	102	82	27.25	59.5	170.75	40	

※ BSPT, NPT and RC, etc is optional. Please specify in orders.

500C Smart High Platform Horizontal 3-Way Ball Valve Main Components Diagram

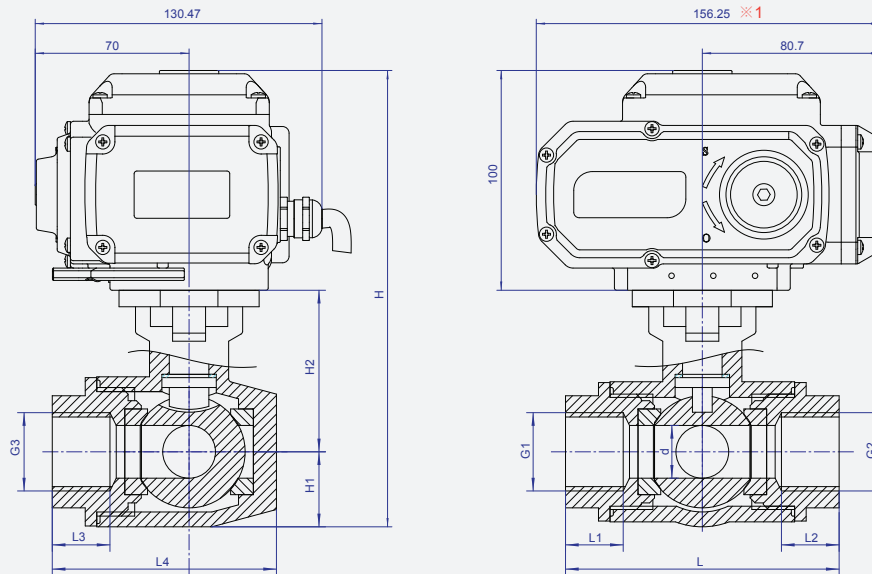


Main Components

No.	Parts	Material	Qty
1	Valve body	304 / 316	1
2	Wrench fixed	304	1
3	Terminal block	Heatproof ABS	1
4	Label	PVC	1
5	Key ※	Rubber	3
6	Screen ※	OLED	1
7	Screws	304	17
8	Indicator	Tempering glass	1
9	Actuator	Casting aluminum	1
10	Oil seal	NBR	1
11	Hexagon wrench	Tool steel	1
12	Manual shaft	304	1
13	Valve bonnet	304 / 316	3

※ Normal on/off model no key and 1.3-inch OLED screen.

Dimension 【500N, DN32/DN40】



Connection Size (unit: mm)

DN	d	G1=G2=G3	L1=L2=L3	L	L4	H1	H2	H	F	W(Kg)
32	25	G1-1/4"	21.0	111	90	33.50	63.0	196.50	50	
40	32	G-1/2"	21.5	126	106	39.00	73.5	212.50	57	

※1 The length of 500C actuator is 173.25 mm.

※2 BSPT, NPT and RC, etc is optional. Please specify in orders.

1000C Smart High Platform Horizontal 3-Way Ball Valve Main Components Diagram

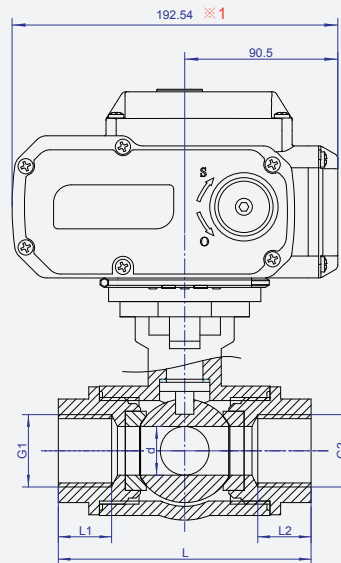
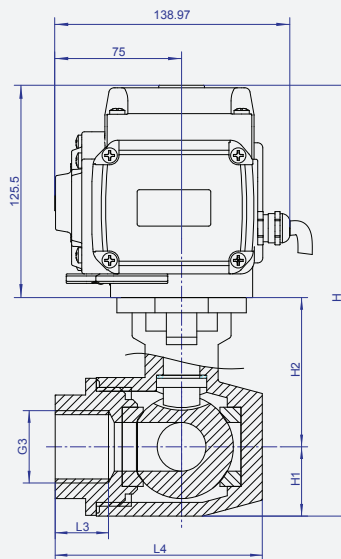


Main Components

No.	Parts	Material	Qty
1	Valve body	304 / 316	1
2	Wrench fixed	304	1
3	Terminal block	Heatproof ABS	1
4	Label	PVC	1
5	Key ※	Rubber	3
6	Screen ※	OLED	1
7	Screws	304	17
8	Indicator	Tempering glass	1
9	Actuator	Casting aluminum	1
10	Oil seal	NBR	1
11	Hexagon wrench	Tool steel	1
12	Manual shaft	304	1
13	Valve bonnet	304 / 316	3

※ Normal on/off model no key and 1.3-inch OLED screen.

Dimension 【1000N, DN50】



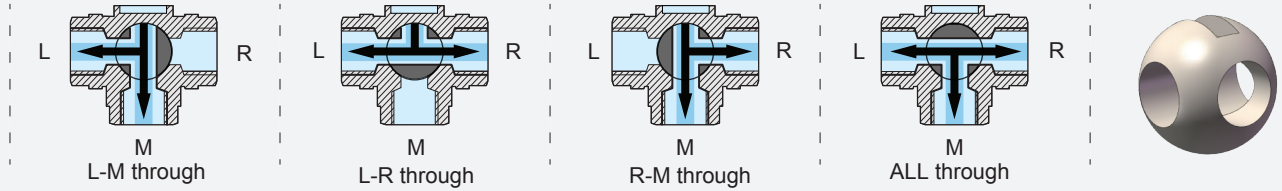
Connection Size (unit: mm)

DN	d	G1=G2=G3	L1=L2=L3	L	L4	H1	H2	H	F	W(Kg)
50	38	G2"	24	146.8	123	48.5	82.8	256.8	40	

※ 1 The length of 1000C actuator is 209.54mm.
 ※ 2 BSPT, NPT and RC, etc is optional. Please specify in orders.

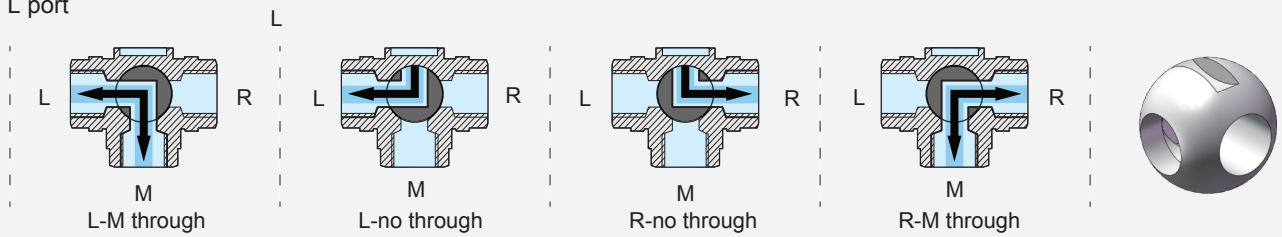
Flow Direction

T port



Note 1 : User can choose two positions from all above mentioned flow patterns, but there might be some mixing if choosing overlapping flow pattern.
 Note 2 : 200C smart model can choose four ways of distribution.

L port




Note 1 : User can choose two positions from all above mentioned flow patterns, but there might be some mixing if choosing overlapping flow pattern.
 Note 2 : 200C smart model can choose four ways of distribution.

Electrical Parameters

Series type	Rated torque @rated voltage	Rated voltage	Available voltage range	Run/static power consumption @rated voltage	Peak crueent @rated volatage @5ms	External fuse specification	Running time (Per 90°) ※	Optional control mode
KLD-200N	15N.m	DC24V	DC22V-28V	36W/0.25W	1.5A	3A	10S@Power up 15S@Power down	KT32 or KT32S
		AC110V	AC90V-130V	40W/1.6W	90mA	1A		
		AC230V	AC190-250V	40W/1.6W	90mA	1A		
	20N.m	DC12V	DC10-14V	3.5W/0.3W	1A	2A	10S	B3 BD3 B3S BD3S
		DC24V	DC22V-28V	15W/0.1W	1.2A	2A	15S	
		AC24V	AC18V-26V		0.5A	2A		
AC110V	AC90V-130V	135mA	1A					
KLD-500N	50N.m	DC24V	DC22V-28V	60W/1.5W	2.5A	5A	10S	B3S BD3S
		AC24V	AC22V-28V	50W/1W	3A	5A	20S	
		AC110V	AC90V-130V		1A	2A		
		AC230V	AC190-250V		0.5A	2A		
KLD-1000N	100N.m	DC24V	DC22V-28V	60W/1W	3.5A	5A	10S	B3S BD3S
		AC24V	AC22V-28V	80W/1W	3.5A	5A	30S	
		AC110V	AC90V-130V		1.5A	3A		
		AC230V	AC190-250V		0.6A	2A		
KLD-2000N	200N.m	DC24V	DC22V-28V	180W/1W	4A	10A	10S	B3S BD3S
		AC110V	AC90V-130V	150W/1W	2A	5A	30S	
		AC230V	AC190-250V		1A	5A		
KLD-4000N	400N.m	DC24V	DC22V-28V	240W/1W	5A	10A	10S	B3S BD3S
		AC110V	AC90V-130V	200W/1W	2.5A	5A	30S	
		AC230V	AC190-250V		2A	5A		

※ Since the running time is affected by the valve body , it is considered to be qualified within ± 3s.

Function Parameters

The valve ball rotation Angel ※	90°
Protection grade	IP67 or F Type
Manual function	Standard (Manual override is only permitted to be used when power is cut)
Indicator	

※ The valve ball rotation Angle of 200C smart model can choose 90°, 180° or 270°.

Working Conditions

Ambient temperature	-20 ——60
Ambient humidity	Relative humidity≤85% ---- Suitable for IP67
	Relative humidity > 85% ---- Suitable for F Type
Medium temperature	0-100
Medium pressure	≤6.4MPa